

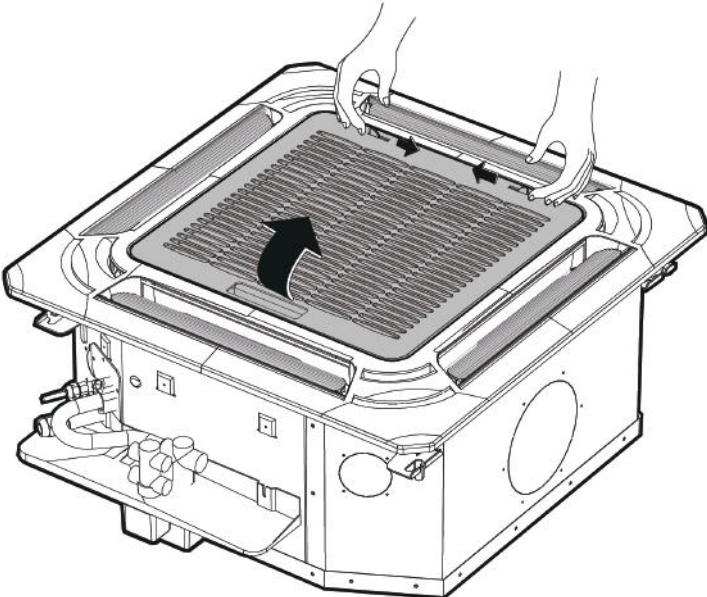
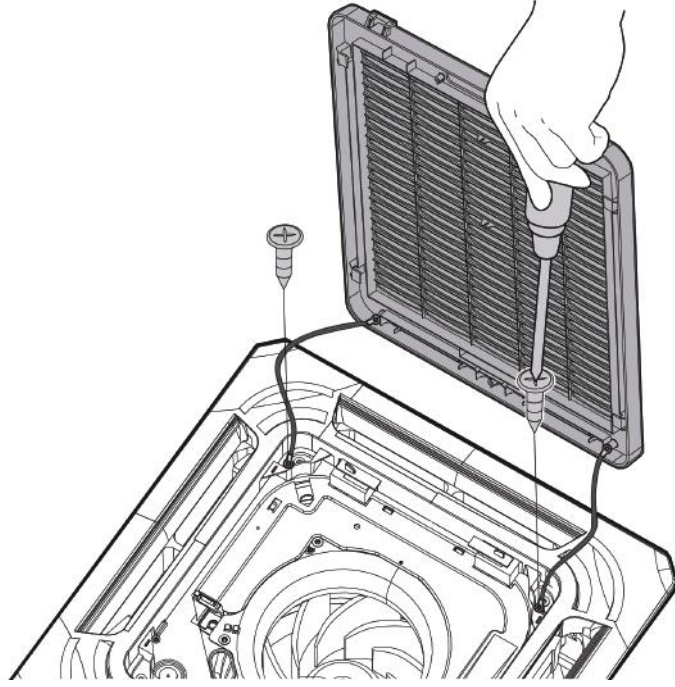
Disassembly Guide for CYB/CB Ceiling Cassette Air Handler (9K-18K BTU size)

Applies to Models with Nomenclature of "CB00xGMFILCFHD".
"CB01xGMFILCFHD".

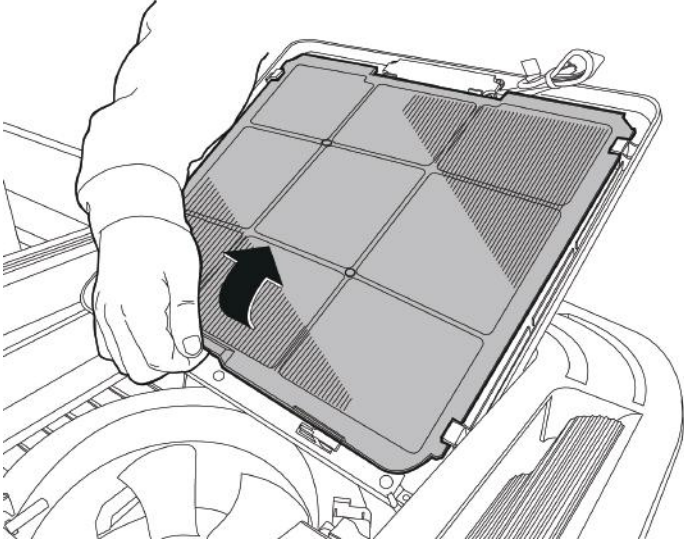
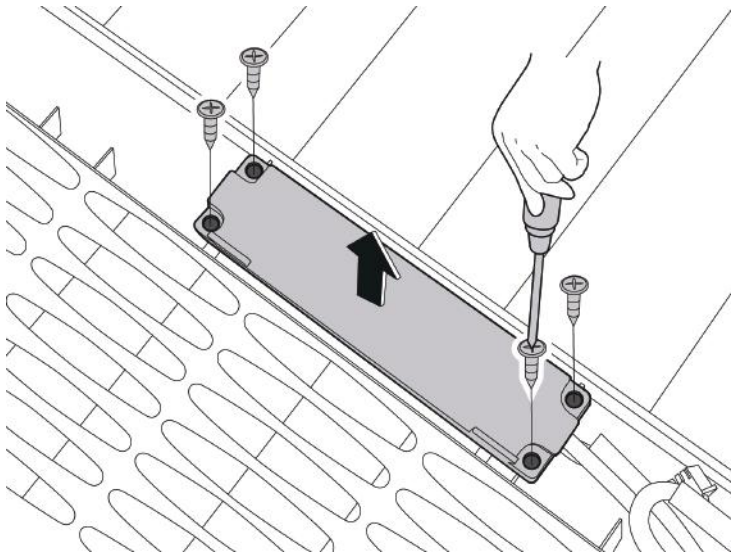


Disassembly of Compact Round Flow Cassette (9000, 12000, 18000 BTU sizes)

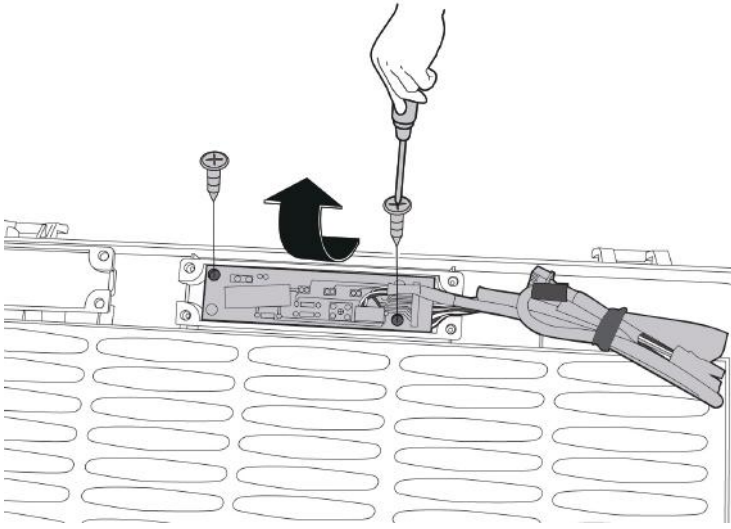
1. Front Panel and Display Board

Procedure	Illustration
1) Release 2 hooks and open the panel. (see Figure 1.)	 <p data-bbox="981 1041 1085 1075">Figure 1</p>
2) Remove two screws of wire line (see Figure 2.)	 <p data-bbox="973 1803 1085 1836">Figure 2</p>

Note: This section is for reference only. Actual unit appearance may vary.

Procedure	Illustration
<p>3) Release the hook then pull up the filter (see Figure 3).</p>	 <p>Figure 3</p>
<p>4) Remove 4 screws of cover and remove the display board (see Figure 4).</p>	 <p>Figure 4</p>

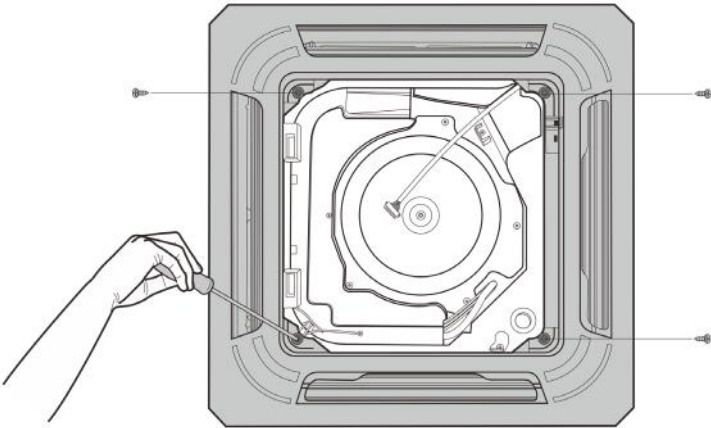
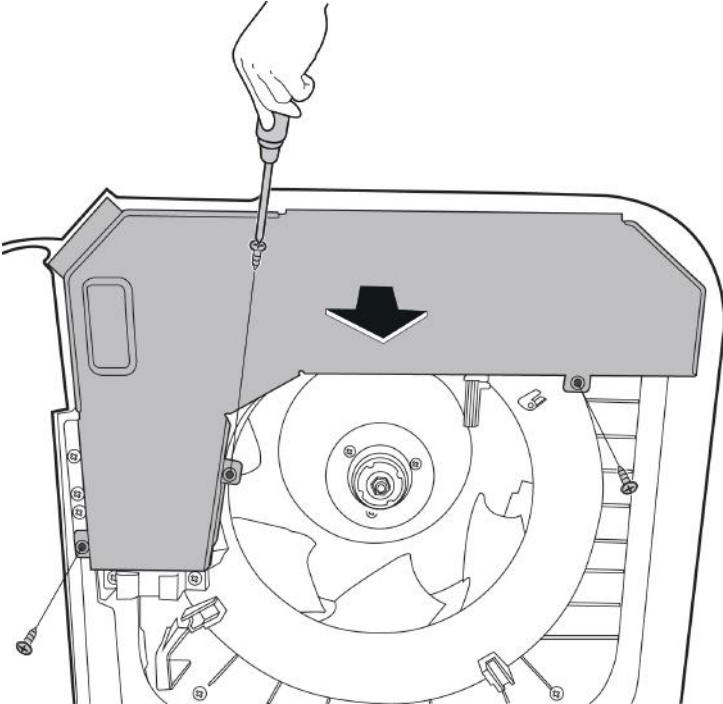
Note: This section is for reference only. Actual unit appearance may vary.

Procedure	Illustration
<p>5) Remove 2 screws of display board and remove PCB. (see Figure 5).</p>	 <p data-bbox="957 884 1069 918">Figure 5</p>

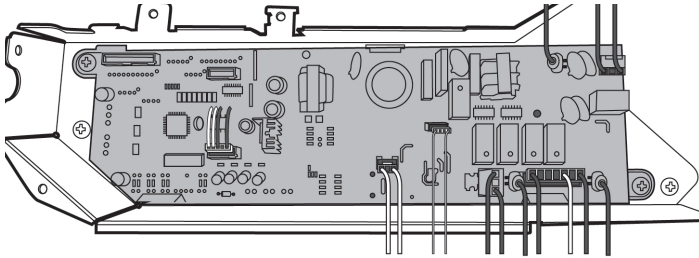
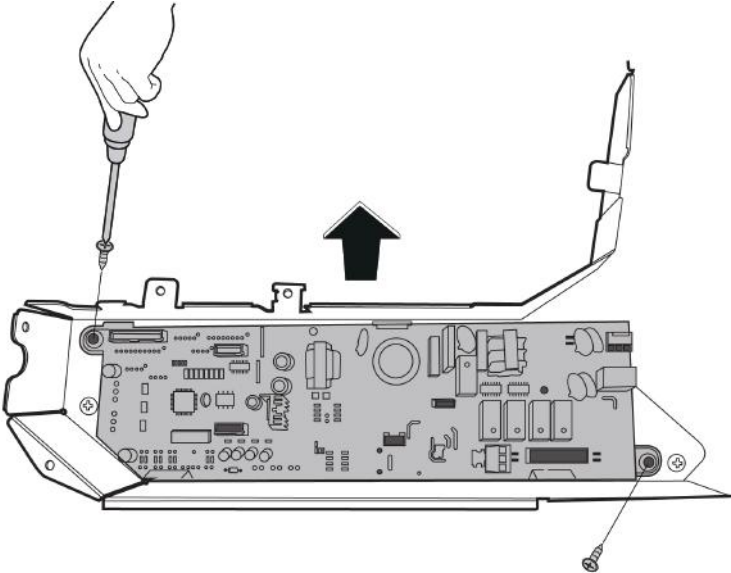
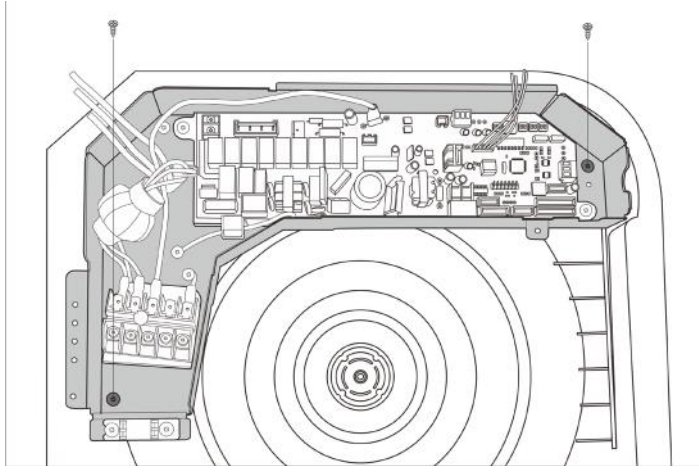
Note: This section is for reference only. Actual unit appearance may vary.

2. Electrical parts (Antistatic gloves must be worn.)

Note: Remove the front panel (refer to 1. Front Panel and display) before disassembling electrical parts.

Procedure	Illustration
<p>1) Remove 4 screws of the panel and pull up the panel. (see Figure 6).</p>	 <p style="text-align: center;">Figure 6</p>
<p>2) Remove 3 screws of electrical cover (see Figure 7).</p>	 <p style="text-align: center;">Figure 7</p>

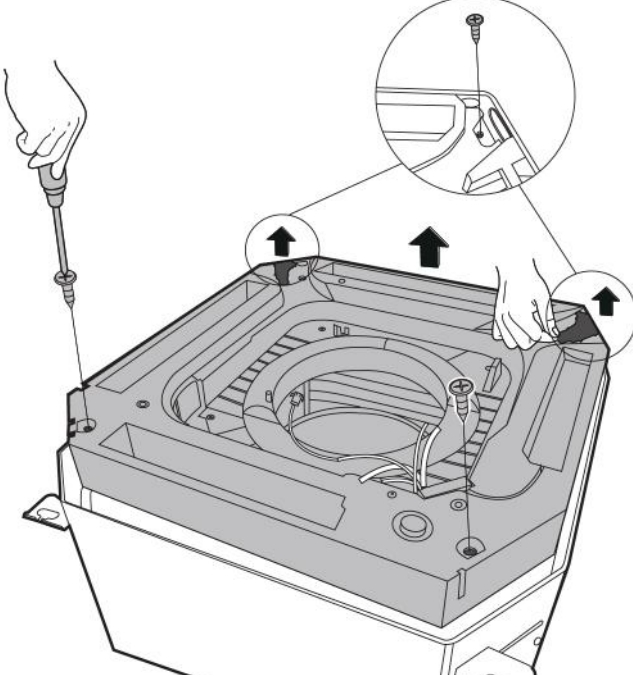
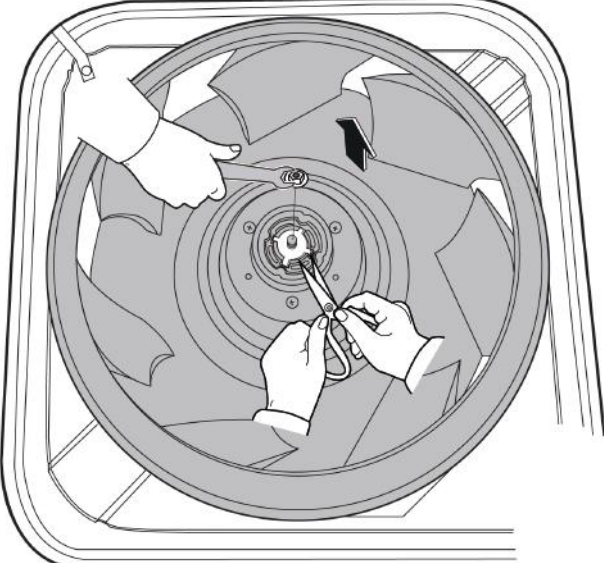
Note: This section is for reference only. Actual unit appearance may vary.

Procedure	Illustration
<p>3) Disconnect the connectors of PCB (see Figure 8).</p>	 <p style="text-align: center;">Figure 8</p>
<p>4) Remove 2 screws of main control board and remove PCB (see Figure 9).</p>	 <p style="text-align: center;">Figure 9</p>
<p>5) Remove 2 screws of electronic control box and remove electronic control box (see Figure 10).</p>	 <p style="text-align: center;">Figure 10</p>

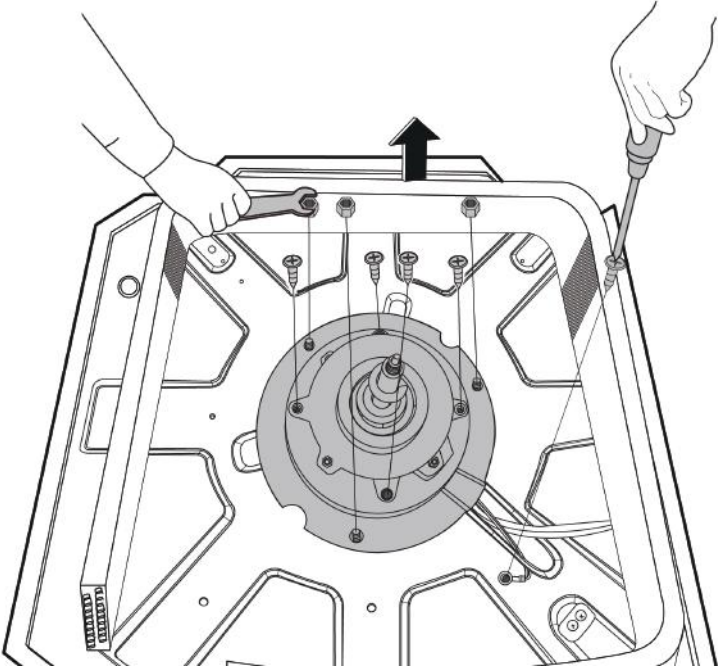
Note: This section is for reference only. Actual unit appearance may vary.

3. Fan motor and Fan

Note: Remove the front panel and electrical parts (refer to 1 & 2) before disassembling fan motor.

Procedure	Illustration
<p>1) Remove 4 screws of water collector then remove it (see Figure 11).</p>	 <p style="text-align: center;">Figure 11</p>
<p>2) Remove the nut of the fan and then pull out the fan (see Figure 12).</p>	 <p style="text-align: center;">Figure 12</p>

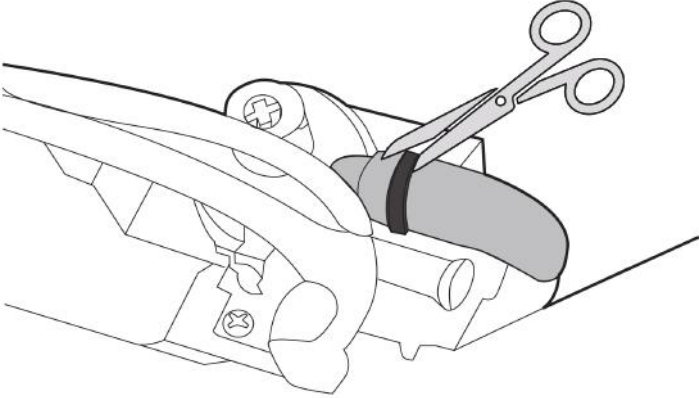
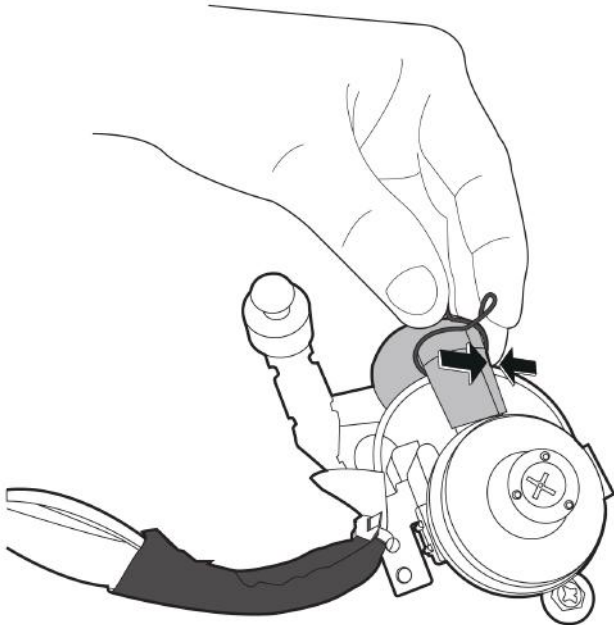
Note: This section is for reference only. Actual unit appearance may vary.

Procedure	Illustration
<p>3) Remove the nuts and remove the fan motor (see Figure 13).</p>	 <p style="text-align: center;">Figure 13</p>

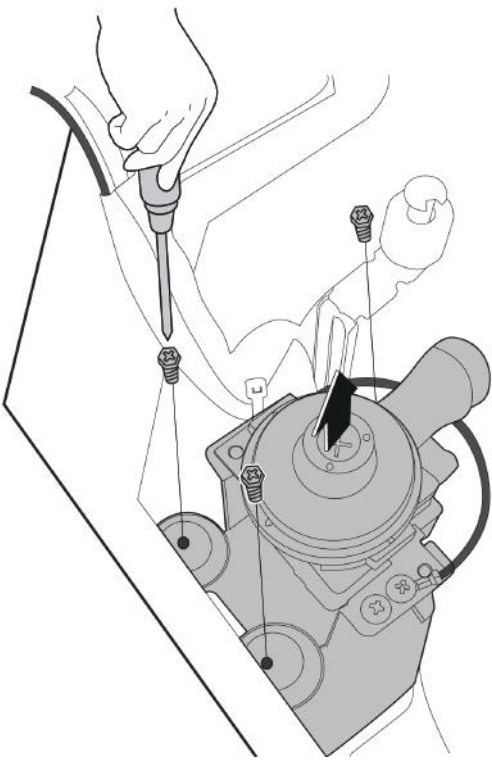
Note: This section is for reference only. Actual unit appearance may vary.

4. Water Pump

Note: Remove the front panel, electrical parts and water collector (refer to 1,2 &3) before disassembling water pump.

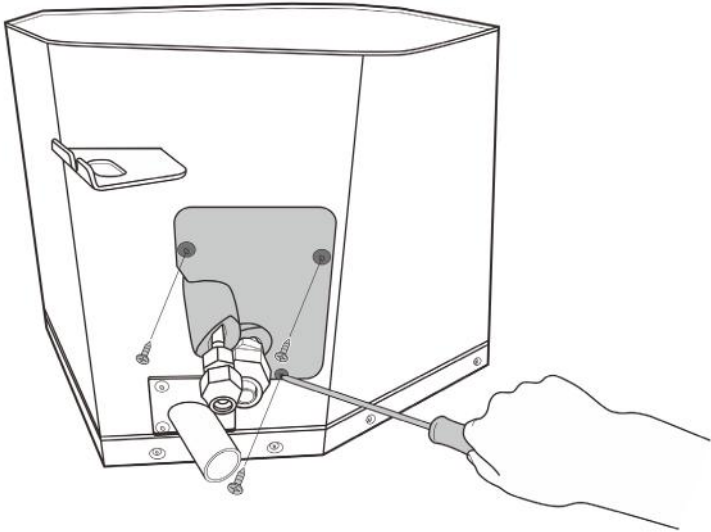
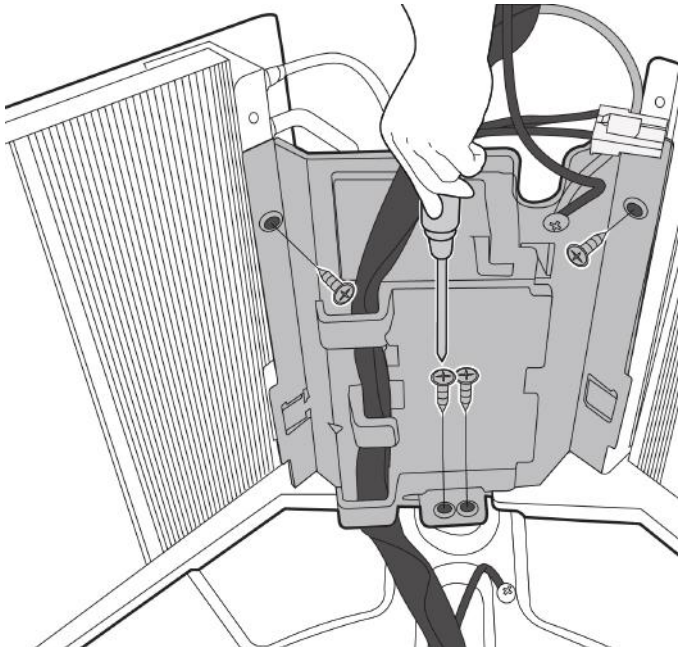
Procedure	Illustration
<p>1) Take off the fasten belt of the water pump (see Figure 14).</p>	 <p style="text-align: center;">Figure 14</p>
<p>2) Pinch the metal wire in the direction shown in the figure to release it. (see Figure 15).</p>	 <p style="text-align: center;">Figure 15</p>

Note: This section is for reference only. Actual unit appearance may vary.

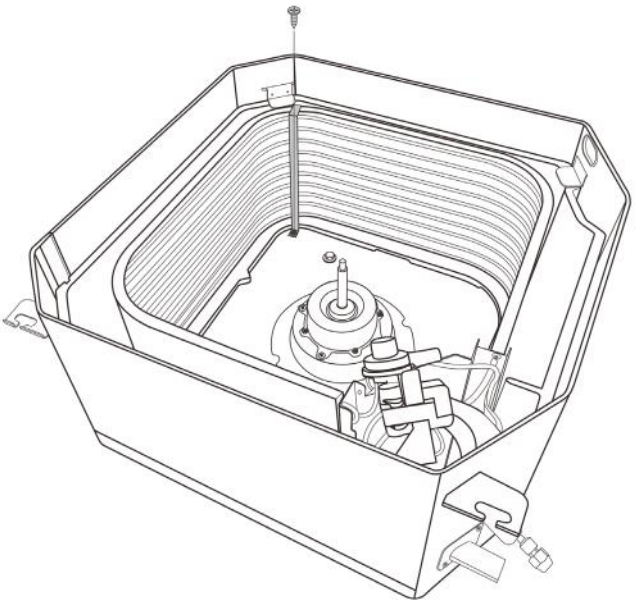
Procedure	Illustration
<p>3) Remove 3 screws and then remove the water pump (see Figure 16).</p>	 <p data-bbox="949 1131 1069 1164">Figure 16</p>

5. Evaporator

Note: Remove the front panel, electrical parts and fan(refer to 1,2 &3) before disassembling evaporator.

Procedure	Illustration
<p>1) Remove 3 screws of pipe clamp board assembly then remove it (see Figure 17).</p>	 <p style="text-align: center;">Figure 17</p>
<p>2) Remove 4 screws of evaporator fixing board then remove it (see Figure 18).</p>	 <p style="text-align: center;">Figure 18</p>

Note: This section is for reference only. Actual unit appearance may vary.

Procedure	Illustration
<p>3) Remove 1 screw of evaporator fixing hook and remove it (see Figure 19).</p>	 <p data-bbox="970 1052 1085 1086">Figure 19</p>

Note: This section is for reference only. Actual unit appearance may vary.