

Job Name:	
Submitted By:	



Submittal Sheet For: YN018GMFI22RPE / CB018GMFILCFHD

Date _____
 Ref. _____

Ceiling Recessed Inverter Driven Heat Pump (1.5 Ton)

System Full Set Model: **CYB018GMFILCAD**
 AHRI Reference Number: **208191863**

Cooling Mode Performance

Rated Cooling	16000 BTU/hr
Ambient Range	5°F ~ 122°F
SEER Rating	20.5 BTU/W·h
EER Rating	12.5 BTU/W·h

* 100% Capacity @ Indoor DB 80°F/WB 66°F / Outdoor DB 95°F/WB 75°F / m.w. 16'lineset

Heating Mode Performance

Rated Heating	18500 BTU/hr
Ambient Range	-13°F ~ 86°F
HSPF IV (V)	11.0 (9.0) BTU/W·h
COP	2.78 W/W

* High Heat (47°F) = 18500 BTU / Low Heat (17°F) = 12000 BTU / COP(5°F) = 1.75



Ceiling-Cassette Indoor Unit



Outdoor Condensing Unit



Installation Kit (Pipe+Cable)



Handheld Remote Controller

Electrical Information

Rated Input (W)	Cooling	Heating
	1,340	1,950
Rated Current (A)	6.01	8.21
Breaker Needed	20A (double-pole)	
Power Supply	208~230V, 1Ph, 60Hz	

Piping and Refrigerant

Liquid Line (OD)	1/4"
Suction Line (OD)	1/2"
Refrigerant Precharge	R410a (10 - 25 ft.)
Max Length/Height Diff.	100 Ft. / 66 Ft.

Interior Unit (Air Handler) Specifications

Airflow Rate (CFM)	365 (Hi) / 310 (Med) / 265 (Lo)
Sound Level (dBA)	43.0 (Hi) / 38.5 (Med) / 34.5 (Lo)
Auto Air Circulation	8-Way Louver (4 Sides + 4 Corners)
Dimensions (WDH)	22"-1/2 x 22"-1/2 x 10"-1/4
Weight (Lbs)	35.7 (Handler) / 5.5 (Decorative Panel)

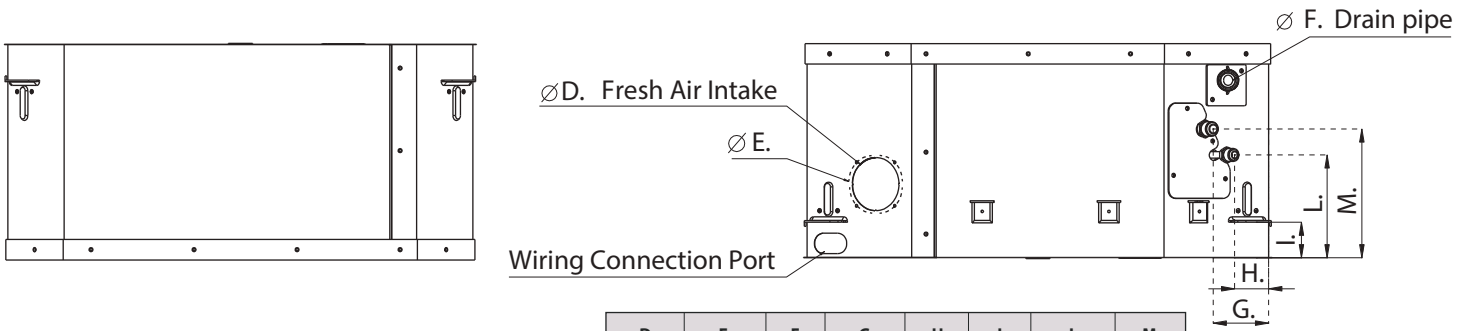
Exterior Unit (Condenser) Specifications

Airflow Rate (CFM)	2,058
Sound Level (dBA)	59.0
Metering Device	Electronic Expansion Valve (EXV)
Compressor	Rotary
Dimensions (WDH)	35" x 13"-1/2 x 26-1/2"
Weight (Lbs)	94.4

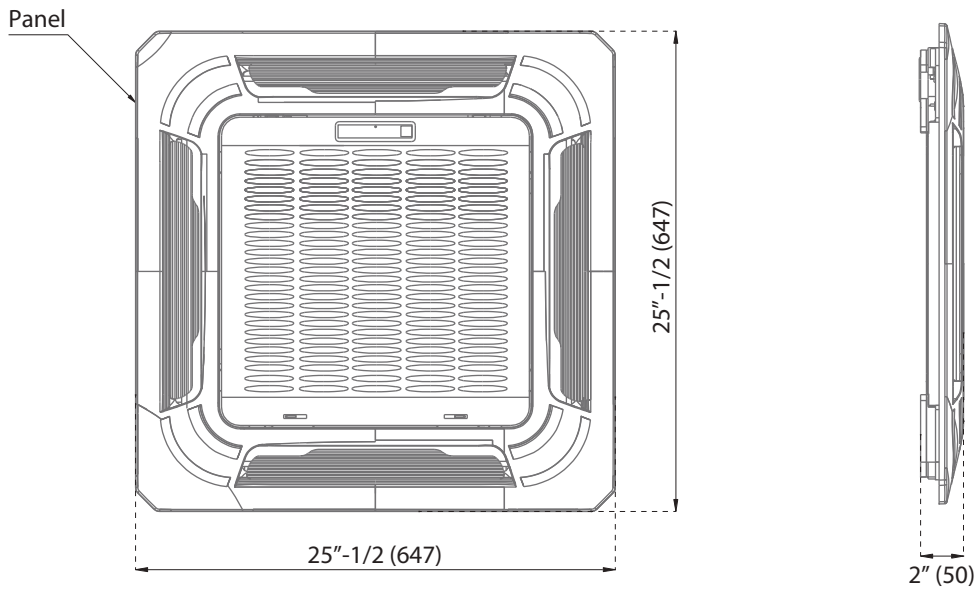
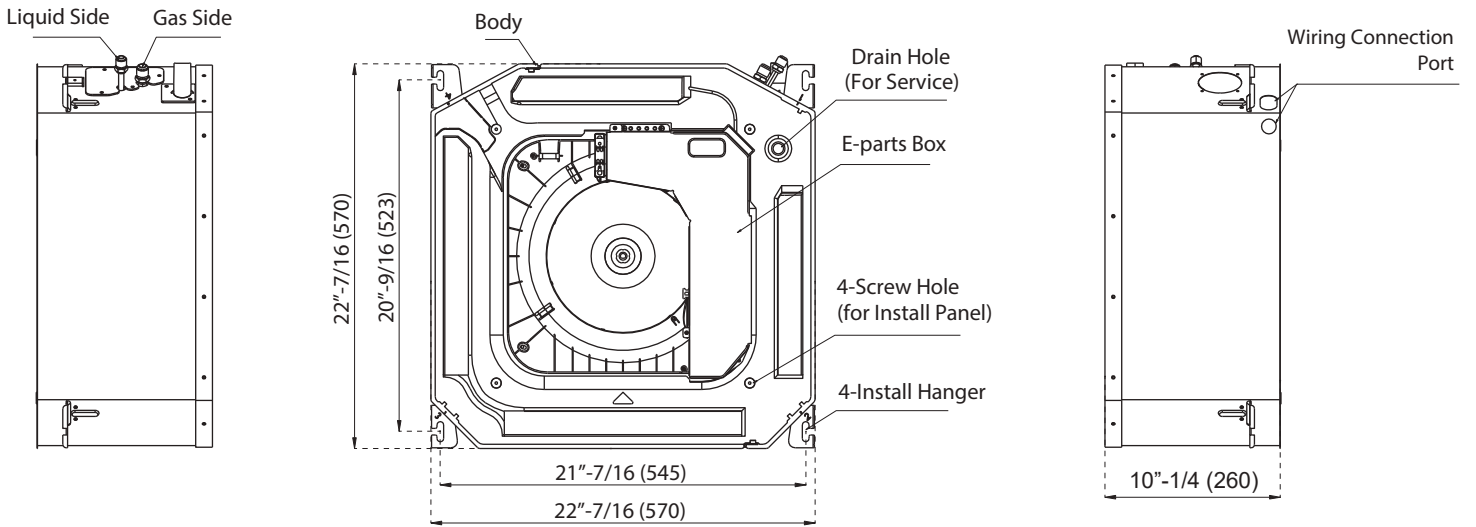
This combination is Energy-Star® certified.



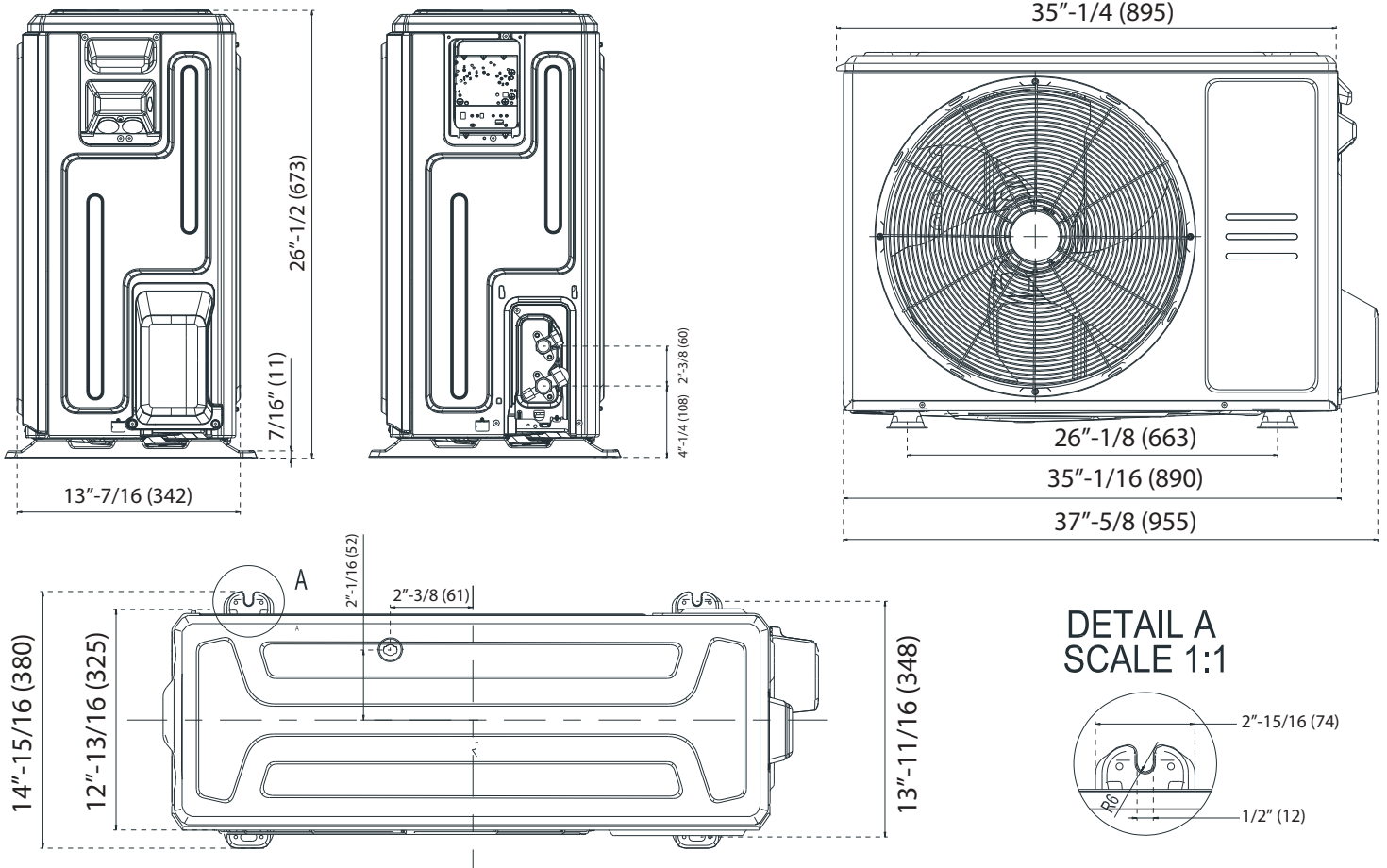
CB018GMFILCFHD Air Handler Dimensional Data



D	E	F	G	H	I	L	M
65 mm	75 mm	25 mm	68 mm	42 mm	44 mm	126 mm	157 mm
2-9/16 in.	25-9/16 in.	1 in.	2-11/16 in.	1-5/8 in.	1-3/4 in.	4-15/16 in.	6-3/16 in.



All dimensions are in Inches (mm)



Warranty Information and Length



Complete warranty details are available with the vendor or online at <https://www.pdhvac.com/support/warranty/>. This high quality system is eligible for up to **5** years limited warranty on the compressor, and **5** years on other internal parts. To qualify for this warranty, the system must be installed within 90 days and registered properly. All other installations that are unregistered qualify for only **1** year parts/compressor warranty.

Outstanding Features

- Compact Design
- Fire-Proof Controller Box
- Optional Fresh Air Intake
- Reserved Air Outlet for Duct
- 360° Omni-directional Airflow
- Built-In Condensate Drain Pump
- Decorative Panel/Grille (Included)
- Optional Programmable Controller

Available Accessories

Part Number	Description
IKT-LCVR4P-KIT	Decorative PVC Line Cover Kit
TST-LCACWIFIKP	Smart-WiFi Wired Wall Thermostat Kit
BRK-FRM-C-2P	Folding Mounting Bracket w/ Leveler
IKT-UVL32UL-AG	UVC Bacterial Disinfection Kit
@ICM517	Ultimate Surge and Power Protection