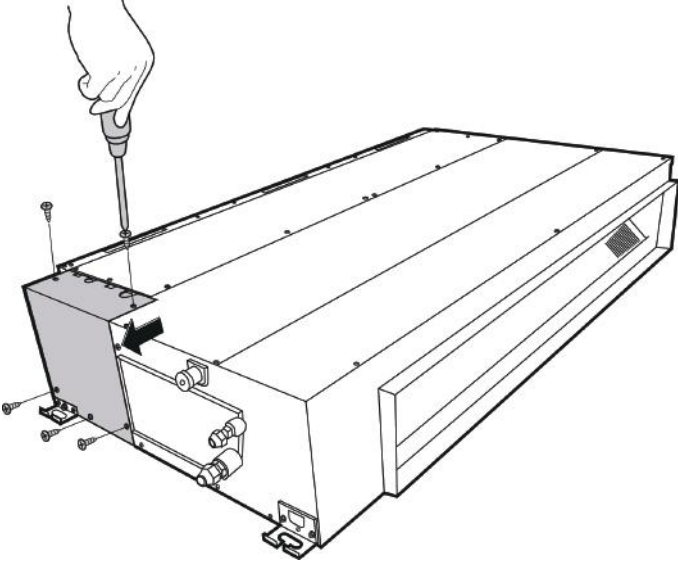
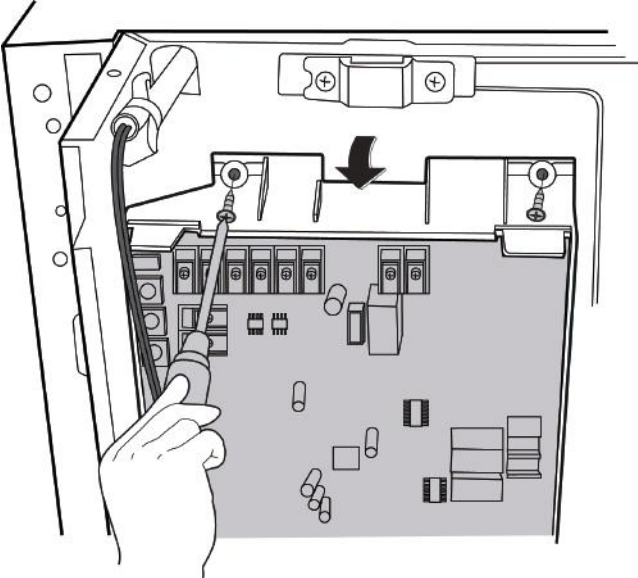
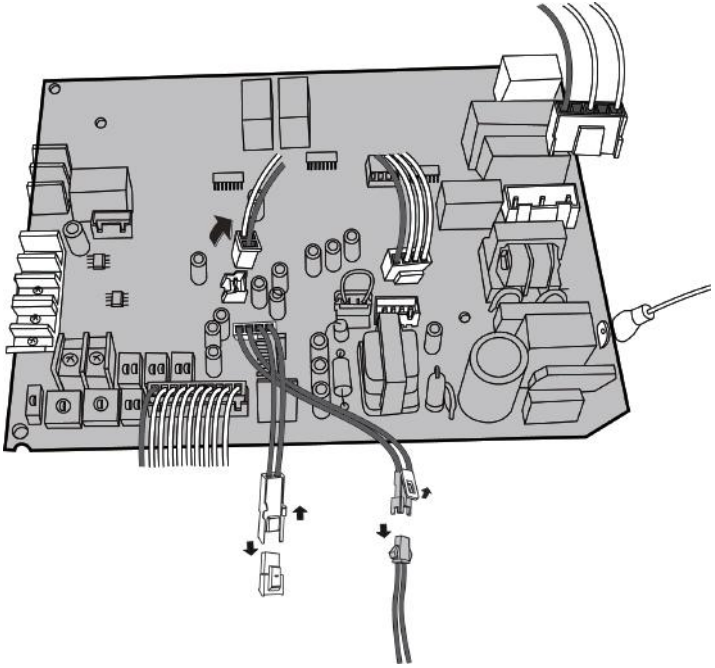
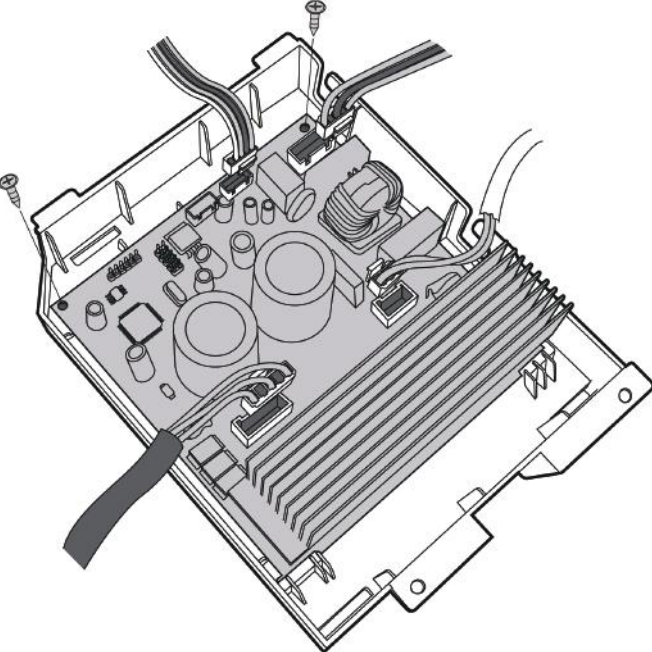


1. Disassembly

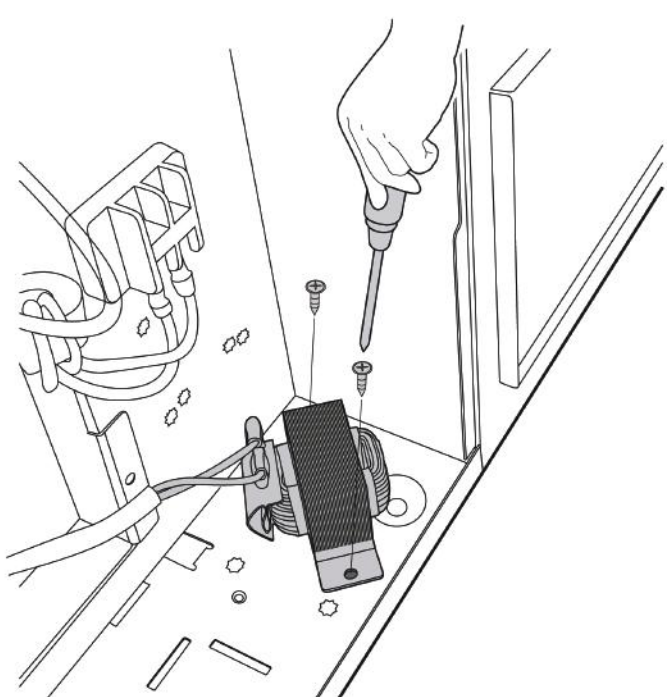
1. Electrical parts (Antistatic gloves must be worn.)

Procedure	Illustration
<p>1) Remove 5 screws of the cover of electronic control box and then remove the cover. (see Figure 1.)</p>	 <p data-bbox="1002 1025 1102 1059">Figure 1</p>
<p>2) Remove the 2 screws of the electronic control box. Then release the 2 hooks of the main control board. (see Figure 2).</p>	 <p data-bbox="1002 1839 1102 1872">Figure 2</p>

Note: This section is for reference only. Actual unit appearance may vary.

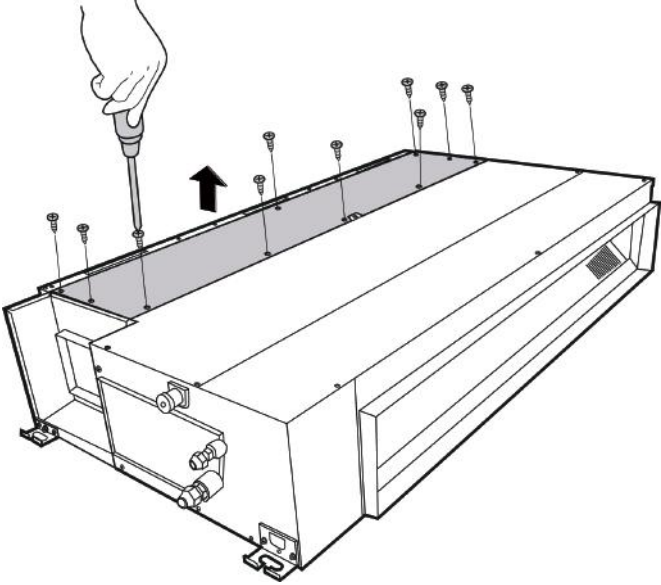
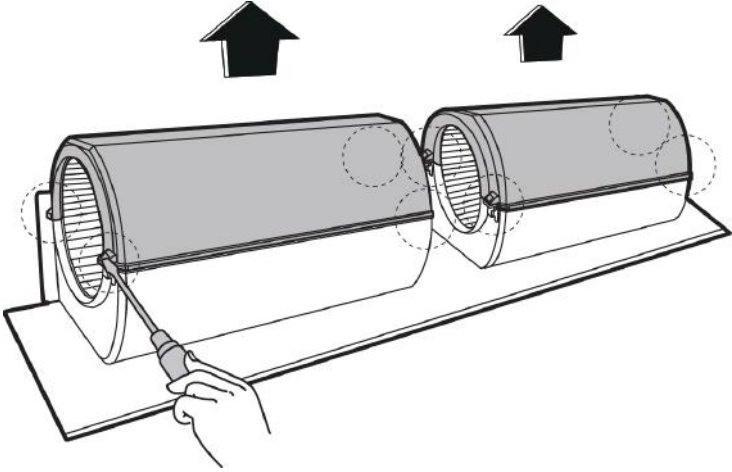
Procedure	Illustration
<p>3) Disconnect the connectors and then remove the front main control board (see Figure 3).</p>	 <p style="text-align: center;">Figure 3</p>
<p>4) Turn over the electronic control box. Disconnect the connectors and remove the 2 screws of rear main control board (see Figure 4).</p>	 <p style="text-align: center;">Figure 4</p>

Note: This section is for reference only. Actual unit appearance may vary.

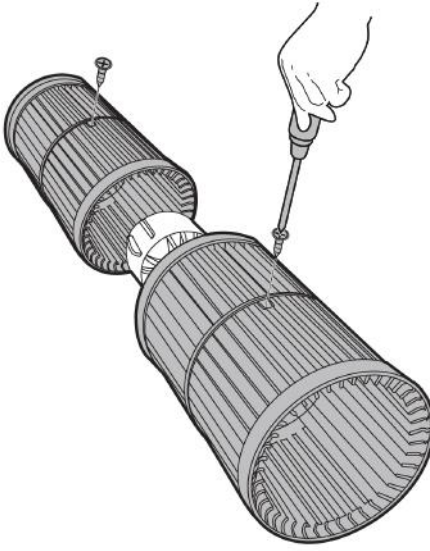
Procedure	Illustration
<p>5) Remove 2 screws of reactor and remove the reactor (see Figure 5).</p>	 <p data-bbox="941 1075 1069 1120">Figure 5</p>

Note: This section is for reference only. Actual unit appearance may vary.

2. Fan motor and fan

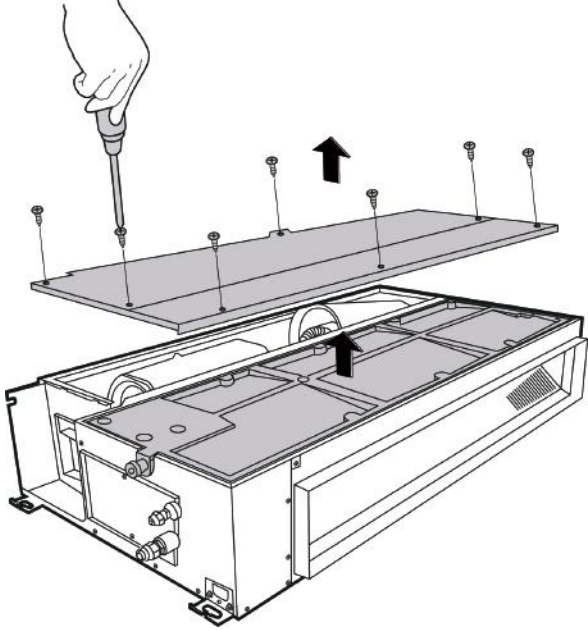
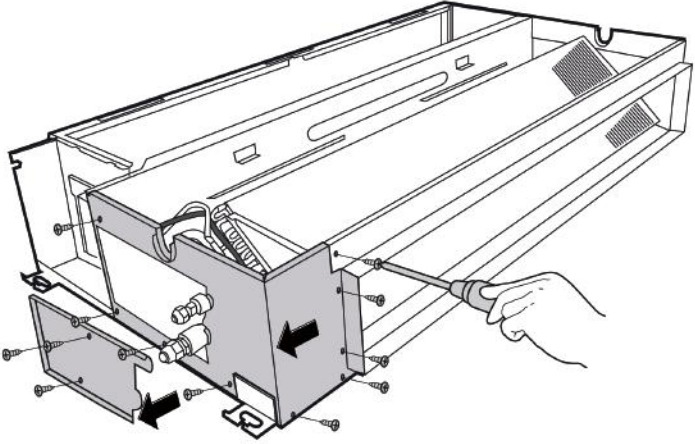
Procedure	Illustration
<p>1) Remove 10 screws of the top cover and then remove the top cover (see Figure 6).</p>	 <p style="text-align: center;">Figure 6</p>
<p>2) Release the 8 hooks of volute shell (see Figure 7).</p>	 <p style="text-align: center;">Figure 7</p>

Note: This section is for reference only. Actual unit appearance may vary.

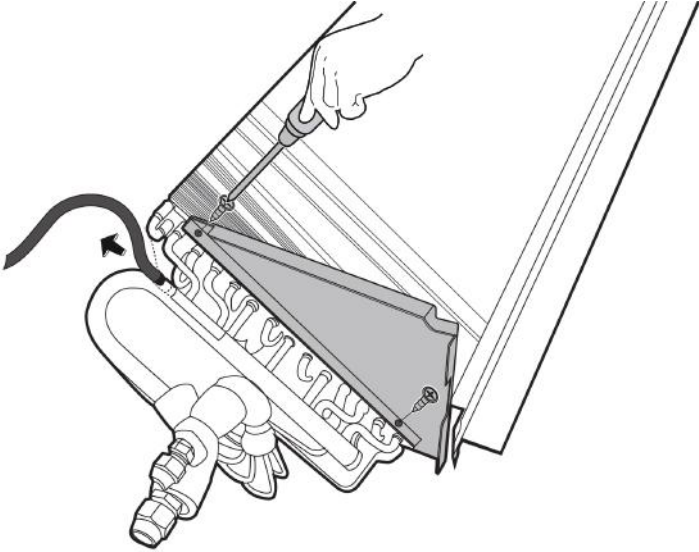
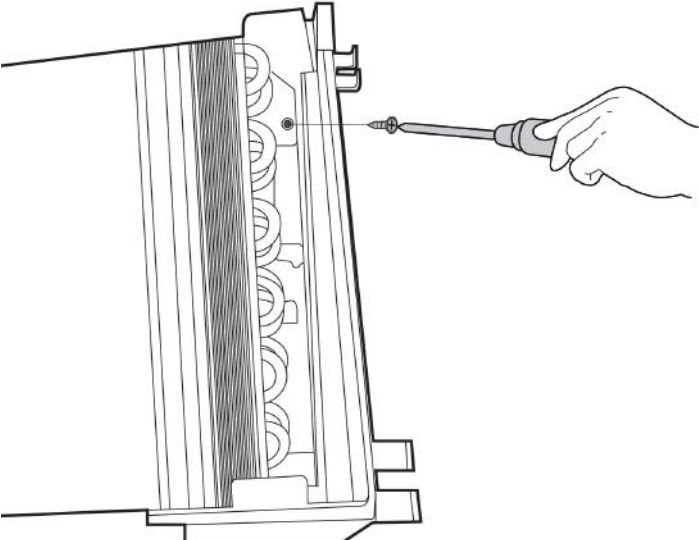
Procedure	Illustration
<p>3) Remove the fixing screws of fan (2 screws) (see Figure 8).</p>	 <p data-bbox="938 947 1038 976">Figure 8</p>

Note: This section is for reference only. Actual unit appearance may vary.

3. Evaporator

Procedure	Illustration
<p>1) Remove 9 screws of the water collector and remove the water collector (see Figure 9).</p>	 <p style="text-align: center;">Figure 9</p>
<p>2) Remove the screws of the pipe clamp board and the left side board (3 for the pipe clamp and 9 for left side board) (see Figure 10).</p>	 <p style="text-align: center;">Figure 10</p>

Note: Remove the front panel (refer to 1. Front panel) before disassembling electrical parts.

Procedure	Illustration
<p>3) Remove the 2 fixing screws of the evaporator support and then pull up the temperature sensor (see Figure 11).</p>	 <p style="text-align: center;">Figure 11</p>
<p>4) Remove the fixing screw of the evaporator and then remove it (see Figure 12).</p>	 <p style="text-align: center;">Figure 12</p>

Note: This section is for reference only. Actual unit appearance may vary.