

Job Name:	
Submitted By:	



Submittal Sheet For:	WT012ALUI17HLD / YN012ALUI17RPD
-----------------------------	----------------------------------------

Date _____
 Ref. _____

Wall-Mounted Ductless 17SEER Inverter Heat Pump

System Full Set Model: **WYT012ALUI17RL**

AHRI Reference Number: **217048734**

Cooling Mode Performance

Rated Cooling	11,500 BTU/hr
Ambient Range	54°F ~ 122°F
SEER Rating	17 BTU/W·h
EER Rating	9.5 BTU/W·h

* 100% Capacity @ Indoor DB 80°F/WB 67°F / m.w. 16' lineset

Heating Mode Performance

Rated Heating	11,500 BTU/hr
Ambient Range	5°F ~ 86°F
HSPF2 IV (V)	9.5 (8.1) BTU/W·h
COP	3.3 W/W

*High Heat (47°F) = 11,500 BTU / Low Heat (17°F) = 6,800 BTU / COP (5°F) = 1.9



Wall-Mounted Indoor Unit



Outdoor Condensing Unit



16' Installation Kit (Pipe + Cable)



Handheld Remote Controller

Electrical Information

Rated Input (W)	Cooling	Heating
	1,180	1,005
Rated Current (A)	10.4	8.8
Breaker Needed	25A (Single-Pole)	
Power Supply	110~120V, 1Ph, 60Hz	

Piping and Refrigerant

Liquid Line (OD)	1/4"
Suction Line (OD)	3/8"
Refrigerant Precharge	R32 (16 ft.)
Max Length/Height Diff.	50 ft. / 33 ft.

This combination is AHRI/ETL/ISO certified.



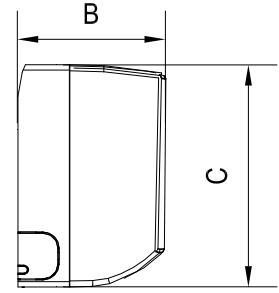
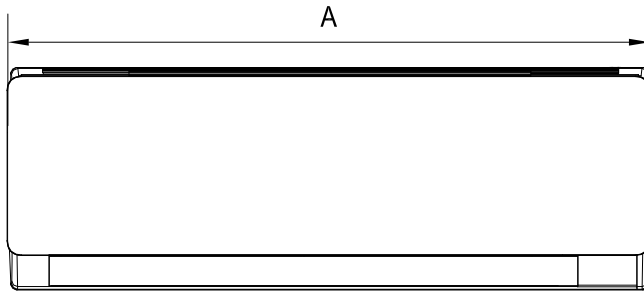
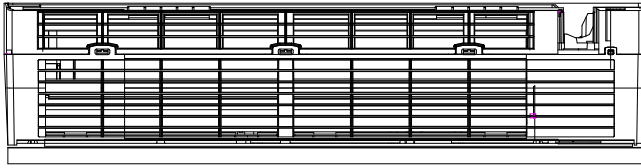
Interior Unit (Air Handler) Specifications

Type	Heat Pump
Sound Level (dBA)	43 (Turbo) / 40 (Hi) / 36 (Med) / 33 (Lo) / 29 (Mute)
Auto Air Circulation	2-Way Louver (Up-Down + Left-Right)
Dimensions (WDH)	30"-1/2 x 7"-7/8 x 9"-3/4
Weight (lbs)	16.5

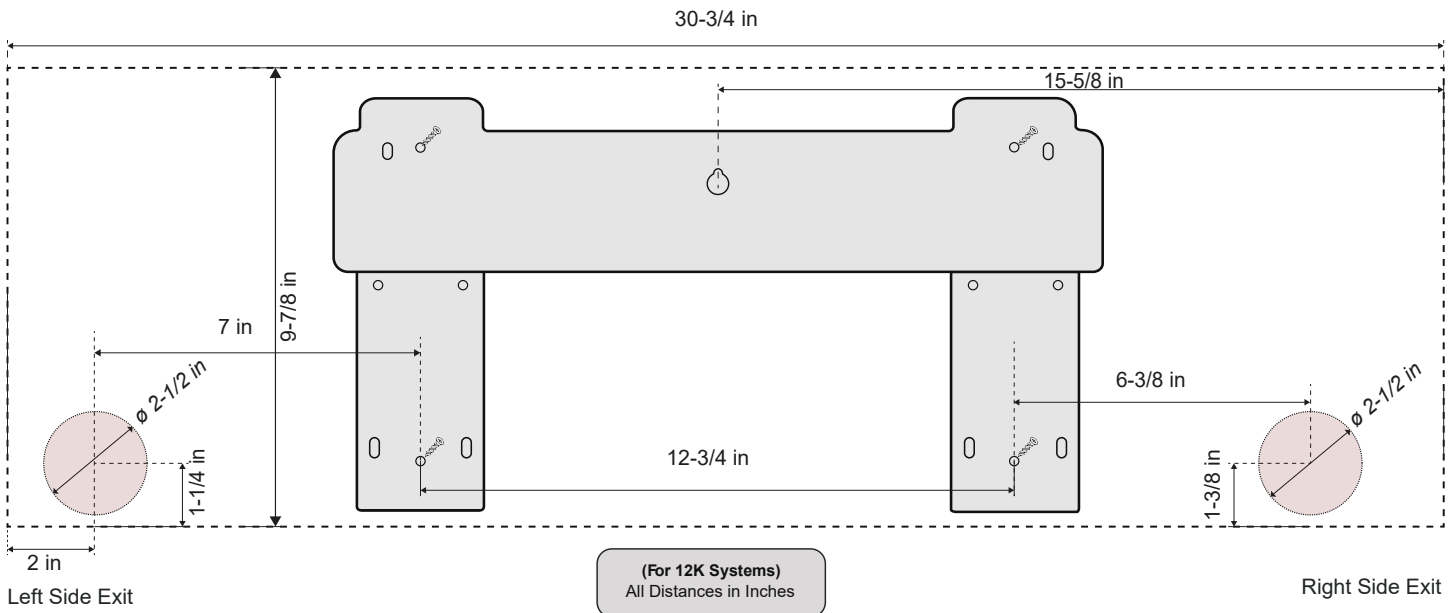
Exterior Unit (Condenser) Specifications

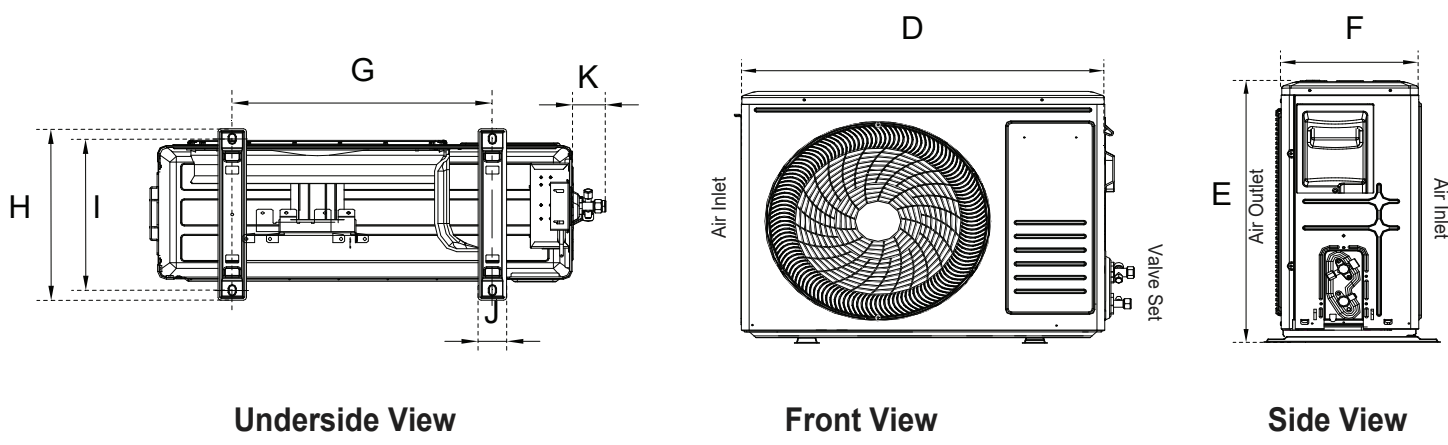
Sound Level (dBA)	53
Recommended Room Size	350~500 Sq. ft.
Minimum Room Size	20 Sq. ft.
Compressor	Inverter-Driven (Rotary)
Dimensions (WDH)	31" x 11"-1/2 x 19"-3/8
Weight (lbs)	50.7

WT012ALUI17HLD Air Handler Dimensional Data



Model	A	B	C
WT012ALUI17HLD	777 mm	205 mm	250 mm
	30-5/8"	8-1/8"	9-3/4"





Model	D	E	F	G	H	I	J	K
YN012ALUI17RPD	712 mm	498 mm	234 mm	415 mm	291 mm	225 mm	48.5 mm	52 mm
	28"	19-5/8"	9-1/4"	16-1/4"	11-1/2"	8-7/8"	1-7/8"	2"

Warranty Information and Length



Complete warranty details are available with the vendor or online at <https://www.pdhvac.com/support/warranty/>. This high-quality system is eligible for up to a 5-year limited warranty on the compressor, and 5 years on other internal parts. To qualify for this warranty, the system must be installed within 90 days and registered properly. All other installations that are unregistered qualify for only 1-year parts/compressor warranty.

Outstanding Features

- LED Display
- Energy Saving
- Ultra-Thin Design
- Dual Drain Options
- Customizable Timer
- Eco-Friendly Refrigerant
- Whisper-Quiet Operation
- Power Loss Memory Recovery

Available Accessories

Part Number	Description
IKT-LCVR4P-KIT	<i>Decorative PVC Line Cover Kit</i>
IKT-LNBR-1/4-3/8	<i>BendAid Flexible Easy Bender Kit</i>
BRK-FRM-C-2P	<i>Folding Mounting Bracket w/ Leveler</i>
IKT-UVL32UL-AG	<i>UVC Bacterial Disinfection Kit</i>
IKT-SURPRK-DV2	<i>Ultimate Surge and Power Protection</i>